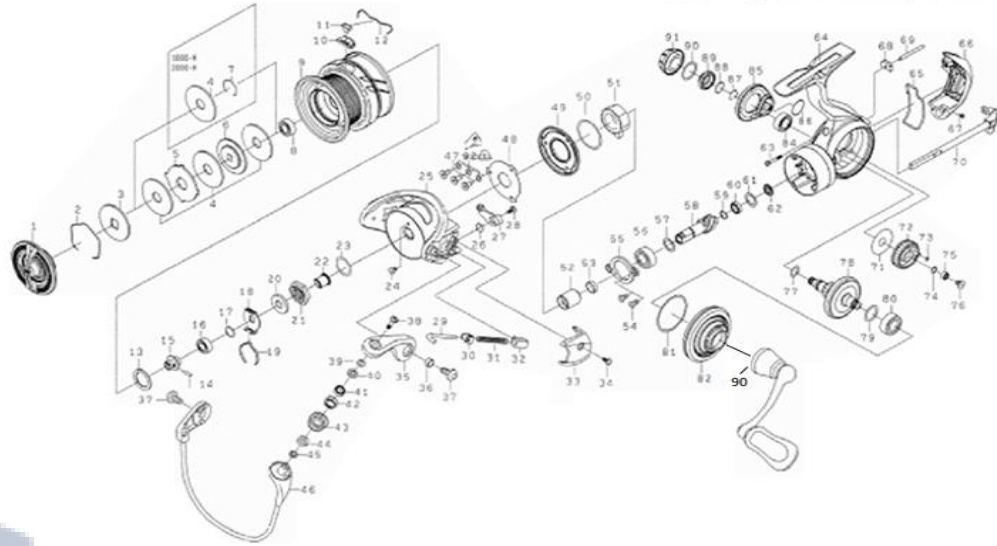


# DAIWA SPINNING REEL

## TTUMQLT1000D-H, 2000D-H & 2500D-XH

\*Please order by parts number, not key number.



Key No	Part No	Description
1	Q73-4101	DRAG KNOB
2	Q34-6101	DRAG WASHER RETAINER
3	Q62-1901	KEY WASHER
4	J67-8901	ATD DRAG WASHER (1PC/PK)
5	-----	-----
6	-----	-----
7	B35-8701	SPOOL BEARING RETAINER
8	G21-2503	SPOOL BALL BEARING
2 12	Q88-7001	SPOOL ASSY (2 12)
10	Q37-6701	LINE STOPPER PLATE
11	Q34-5501	LINE STOPPER
12	Q34-5701	LINE STOPPER SPRING
13	J54-6304	SPOOL METAL WASHER
14	J55-8201	SPOOL METAL SCREW
15	J56-4101	SPOOL METAL
16	E30-6801	SPOOL METAL BALL BEARING
17	J60-2201	SPOOL WASHER
18	Q79-8201	CLICK SPRING HOLDER
19	Q79-7701	CLICK LEAF SPRING
20	H98-6901	ROTOR NUT PACKING
21	Q89-8401	ROTOR NUT
22	Q85-8101	ROTOR NUT COLLAR
23	372-7602	ROTOR NUT WASHER
24	H02-2701	ROTOR NUT SCREW
25	Q82-5303	ROTOR
26	Q82-5401	BAIL TRIP LEVER SPRING
27	M19-4601	BAIL TRIP LEVER WASHER
28	Q82-5501	BAIL TRIP LEVER
29	H02-2702	BAIL TRIP LEVER SCREW
30	Q81-0901	BAIL SPRING SHAFT
31	Q80-8501	BAIL SPRING SHAFT COLLAR
32	Q87-3901	BAIL SPRING
33	Q82-6001	BAIL SPRING HOLDER
34	Q81-2001	BAIL SPRING HOLDER SPRING
35	Q80-8701	BAIL SPRING HOLDER PIN
36	Q81-2201	BAIL SPRING COVER SCREW
37	Q82-6401	BAIL SPRING COVER
38	Q82-6303	BAIL ARM
39	Q80-9101	BAIL ARM COLLAR
40	B33-9801	BAIL ARM RETAINER
41	F88-9105	ROLLER WASHER (A)
42	J73-6201	ROLLER PACKING (A)
43	Q89-6601	ROLLER COLLAR (A)
44	J25-6702	ROLLER BALL BEARING (A)
45	Q89-6901	ROLLER COLLAR (B)
46	Q80-9803	LINE ROLLER
47	Q80-9901	ROLLER COLLAR (C)
48	Q81-0101	ROLLER WASHER (B)
49	Q82-6501	BAIL ASSY
50	Q80-9701	ROLLER SCREW COLLAR
51	373-1306	ROLLER SCREW WASHER
52	Q81-0201	ROLLER SCREW
53	Q41-6203	BAIL HOLDER WASHER
54	Q81-2301	BAIL HOLDER SCREW
55	G17-1402	SHIELD PLATE SCREW
56	J67-5301	SHIELD PLATE
57	Q60-9601	SHIELD COVER
58	J63-9901	ONEWAY CLUCH WASHER
59	J38-8402	ONEWAY CLUCH
60	J53-6102	CLUTCH RING
61	Q60-9001	ONEWAY CLUCH COLLAR
62	Q19-5701	PINION BEARING PLATE SCREW
63	Q62-1201	PINION BEARING PLATE
64	G46-7302	PINION BALL BEARING (A)
65	375-8502	PINION WASHER
66	Z70-0718	PINION DRIVE GEAR SET
67	H93-1701	PINION SPRING WASHER
68	H95-9601	PINION BALL BEARING (B)
69	G46-6103	PINION BEARING WASHER
70	J38-7701	PINION COLLAR
71	Q62-1301	REAR COVER SCREW (A)
72	Q88-6401	BODY ASSY

Key No	Part No	Description
73	Q64-3901	REAR COVER PACKING
74	Q64-4001	REAR COVER
75	Q62-1101	REAR COVER SCREW (B)
76	Q60-9201	OSCILLATING POST COLLAR
77	Q60-9302	OSCILLATING POST
78	Q64-3201	MAIN SHAFT
79	H60-7901	OSCILLATING GEAR WASHER
80	Q64-3101	OSCILLATING GEAR
81	G68-3301	OSCILLATING GEAR O RING
82	H12-9201	OSCILLATING GEAR BEARING WASHER
83	G46-9005	OSCILLATING GEAR BALL BEARING
84	Q12-6101	OSCILLATING GEAR SCREW
85	G67-0501	DRIVE GEAR O RING
86	375-8502	DRIVE WASHER
87	G52-2706	DRIVE BALL BEARING (A)
88	J58-8801	SIDE COVER O RING
89	Q64-3803	SIDE COVER (L)
90	Q64-4501	HANDLE ASSY
91	G52-2706	DRIVE BALL BEARING (B)
92	Q64-2901	SET PLATE
93	H81-6401	SET PLATE O RING
94	G47-2401	DRIVE BEARING RETAINER
95	H61-7001	SIDE COVER O RING
96	Q60-8902	SIDE COVER (R)
97	G16-2401	HANDLE CAP O RING
98	Q34-5101	HANDLE CAP
200	B41-1703	HANDLE KNOB WASHER
201	G72-0001	HANDLE KNOB BUSHING
202	Q34-4801	HANDLE KNOB
203	G72-0001	HANDLE KNOB BUSHING
204	B67-9308	HANDLE KNOB SCREW
205	Q34-5001	HANDLE KNOB CAP

### TTUMQLT2000D-H Special Parts

Key No	Part No	Description
2 12	Q88-6501	SPOOL ASSY (2 12)
90	Q69-8101	HANDLE ASSY

### TTUMQLT2500D-XH Special Parts

Key No	Part No	Description
1	Q73-4901	DRAG KNOB
2 12	Q88-7501	SPOOL ASSY (2 12)
4	J67-8801	ATD DRAG WASHER (1PC/PK)
5	Q73-2001	EARED WASHER
6	J54-9001	KEY WASHER (B)
10	Q34-5601	LINE STOPPER PLATE
15	J54-9501	SPOOL METAL
21	Q73-5801	ROTOR NUT
25	Q80-8204	ROTOR
26	Q81-0801	BAIL TRIP LEVER SPRING
28	Q80-8301	BAIL TRIP LEVER
32	Q81-1701	BAIL SPRING
33	Q80-8601	BAIL SPRING HOLDER
37	Q80-9201	BAIL SPRING COVER
38	Q80-8803	BAIL ARM
49	Q80-9301	BAIL ASSY
64	G46-7302	PINION BALL BEARING (A)
65	Z70-0629	PINION DRIVE GEAR SET
68	G46-6202	PINION BALL BEARING (B)
72	Q88-0501	BODY ASSY
73	Q60-9401	REAR COVER PACKING
74	Q60-9501	REAR COVER
77	Q60-9301	OSCILLATING POST
78	Q60-8202	MAIN SHAFT
79	J64-4701	OSCILLATING GEAR WASHER
80	Q60-8101	OSCILLATING GEAR
81	H77-0601	OSCILLATING GEAR O RING
88	J55-3001	SIDE COVER O RING
89	Q60-9103	SIDE COVER (L)
90	Q61-0601	HANDLE ASSY
92	Q60-7901	SET PLATE
93	Q60-8001	SET PLATE O RING